

# MOS-4140V

## 1-ch Full HD H.264 MiniPCle Video Capture Card iDoor Module

NEW



### Features

- 1 channel VGA channel video inputs with H.264 software compression
- 30/25 fps (NTSC/PAL) at up to full HD resolution for recording and display
- Mini PCIe x1 (Gen2) host interface
- Windows/Linux OS supported
- iDoor Supported

FCC CE 

## Introduction

MOS-4140V is a Mini PCIe-bus, software compression video capture card with 1 video inputs. MOS-4140V supports H.264 compression format at up to full HD resolution at real-time frame rate (30/25fps). With an easy-to-use software development kit (SDK), MOS-4140V is an ideal solution for various video capture applications.

## Specifications

Video	Video Standard	NTSC/PAL
	Video Input	1 x VGA
	Compression	S/W H.264
	Max. Resolution / FPS	1920 x 1080 @ 60/50 FPS (Input) 1920 x 1080 @ 30/25 FPS (Output)
	RAW data Formate	YV12/NV12/YUY2/RGB24/RGB32
Audio	Audio Input	HDMI Embedded Audio/ Audio L/R
	Format	Stereo / 16-bit / 32000 ~ 48000Hz
System Requirements	CPU (Display)	Intel Core 2 Duo E2200 2.2 GHz
	CPU (Recording)	Intel Core 2 Quad Q9400 2.6 GHz
	Memory	2 GB
	VGA	1024 x 768, DirectX 9.0c
	Operating System	Windows XP/XPe/Vista/7/8/8.1/10; Linux 2.6.14 or higher; 32/64 bits
Physical Characteristics	Host Interface	Mini PCIe x1 (Gen 2)
	Operating Temperature	-20 ~ 70° C (-4 ~ 158° F)
	Storing Temperature	-40 ~ 85° C (-40 ~ 185° F)
	Dimensions	Mini card: 30 x 51 mm (1.2" x 2") Cable: 30cm
	Certification	CE/FCC

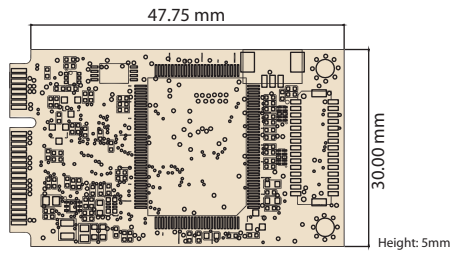
## Versatile SDK Support (For Windows Only)

Advantech provides software development kit (SDK), a set of development tools that allows a software engineer to integrate video capture modules into different types of system. Functions include video recording, playback and instant preview.

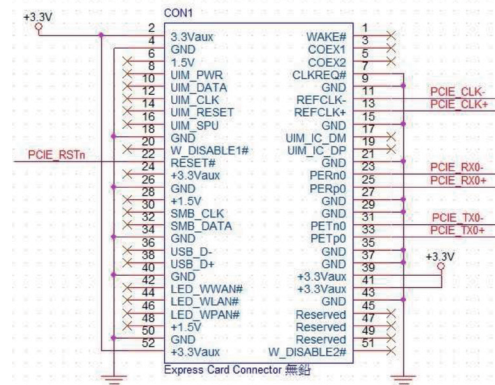
- Software Library
- SDK Manual
- Sample Program

### Card Dimension

Unit: mm



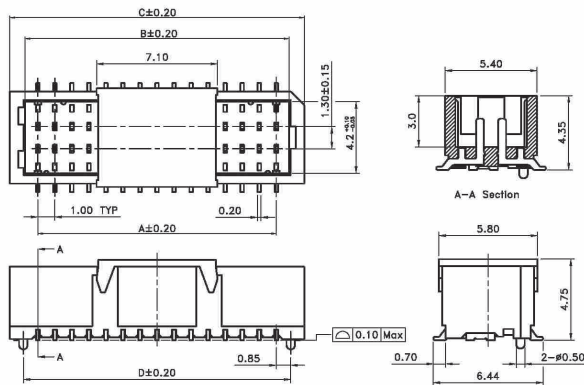
### Pin Define



### Connector Dimensions

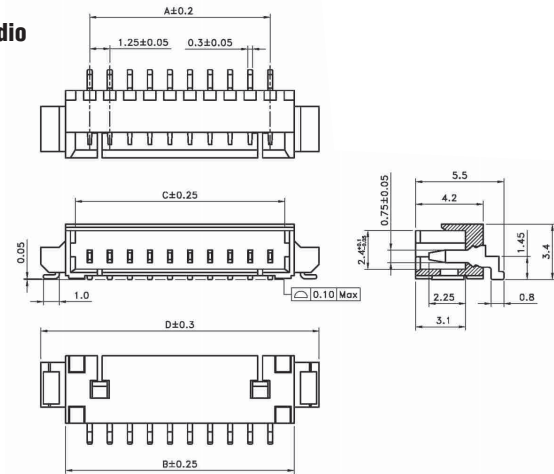
Unit: mm

#### Video



Poles	Part No.	Dimensions (mm)			
		A	B	C	D
20	WR-M20S10	9.00	10.50	12.30	10.70
30	WR-M30S10	14.00	15.50	17.30	15.70
40	WR-M40S10	19.00	20.50	22.30	20.70
50	WR-M50S10	24.00	25.50	27.30	25.70

#### Audio



Poles	Dimensions (mm)			
	A	B	C	D
2	1.25	4.25	3.05	7.10
3	2.50	5.50	4.30	8.35
4	3.75	6.75	5.55	9.60
5	5.00	8.00	6.80	10.85
6	6.25	9.25	8.05	12.10
7	7.50	10.50	9.30	13.35
8	8.75	11.75	10.55	14.60

Poles	Dimensions (mm)			
	A	B	C	D
9	10.00	13.00	11.80	15.85
10	11.25	14.25	13.05	17.10
11	12.50	15.50	14.30	18.35
12	13.75	16.75	15.55	19.60
13	15.00	18.00	16.80	20.85
14	16.25	19.25	18.05	22.10
15	17.50	20.50	19.30	23.35

### Ordering Information

Part Number	Description
MOS-4140V-Y1101	1-ch Full HD H.264 MiniPCIe Video Capture Card iDoor Module